

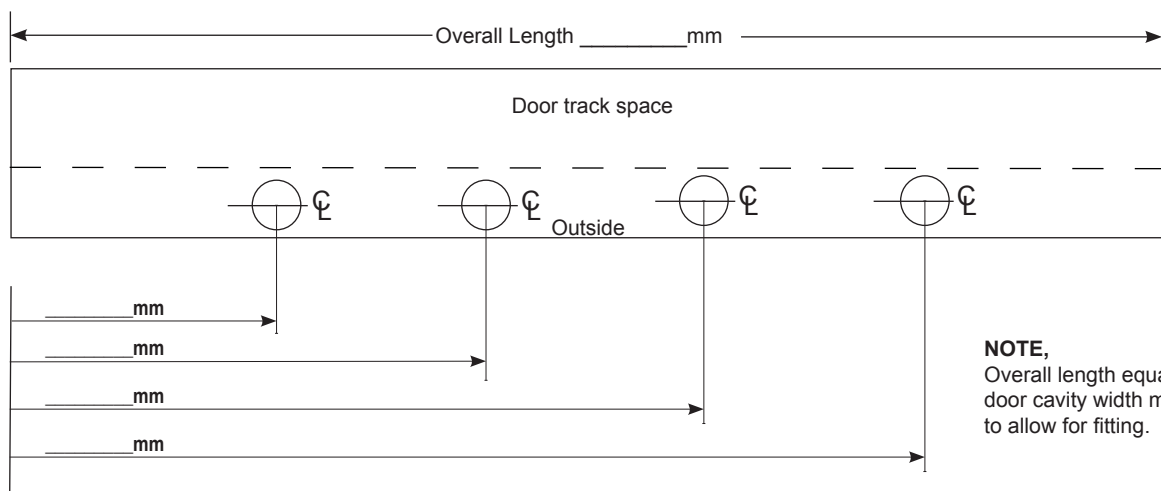
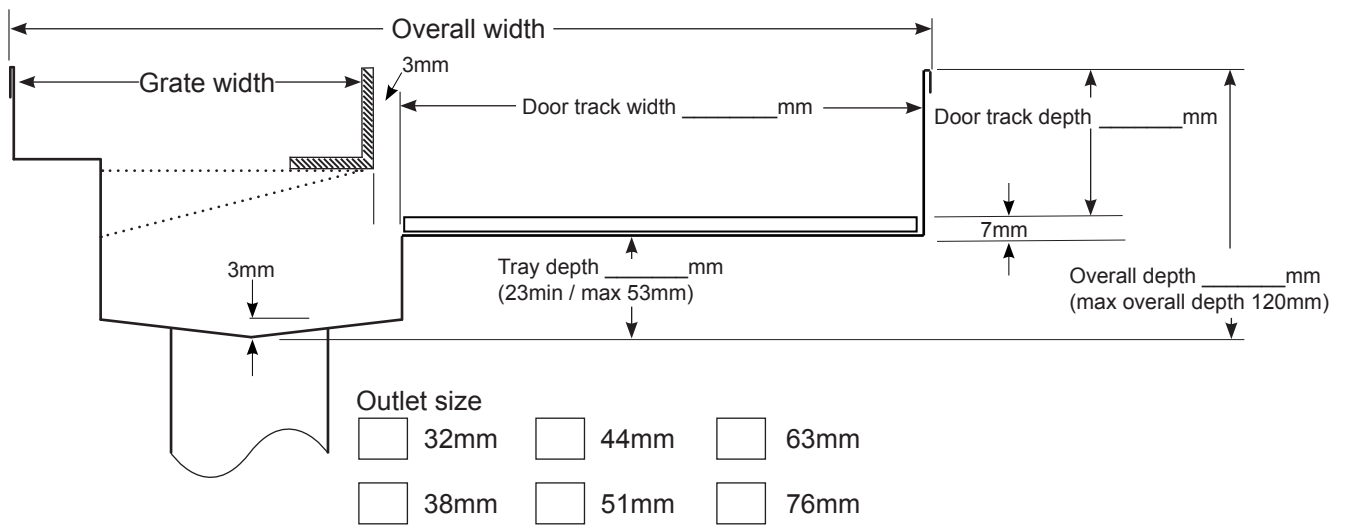


Threshold drain - Premium with Sill only

Order Form

 <input type="checkbox"/> Architectural (AR)	 <input type="checkbox"/> Punched Slot (PS)	 <input type="checkbox"/> Marc Newson (MND)	 <input type="checkbox"/> Ti
---	--	--	---------------------------------

- | | | |
|--|--------------------------------------|--|
| <input type="checkbox"/> 65mm Tile Insert | <input type="checkbox"/> 65mm Grate | Overall width = 80mm + track width. (Min sill depth 35mm) |
| <input type="checkbox"/> 100mm Tile Insert | <input type="checkbox"/> 100mm Grate | Overall width = 115mm + track width. (Min sill depth 30mm) |



NOTE,
Overall length equals door cavity width minus 4mm to allow for fitting.

Name

Customer name/job

Order number

Email

Branch S/tech quote #

Signature & date

Fax to 02 44235552 or email to info@stormtech.com.au

